



Hegewald & Peschke
Meß- und Prüftechnik GmbH

Product Information

Universal testing machine Inspekt mini 3kN



Hegewald & Peschke, Meß- und Prüftechnik GmbH
Am Gründchen 1, 01683 Nossen, Germany
Telephone: +49 35242 445-0, Telefax: +49 35242 445-111
E-Mail: info@hegewald-peschke.de
<http://www.hegewald-peschke.com>

Technical data:

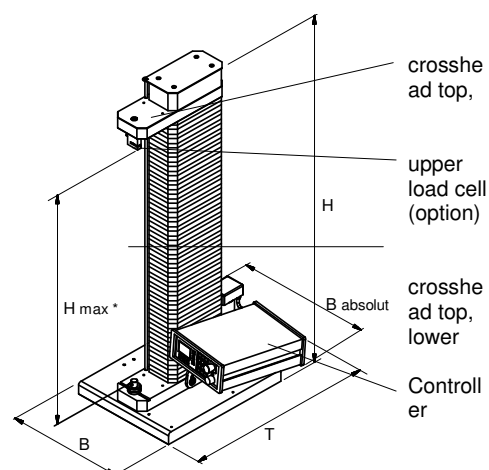
Test load tension/compression	3kN
Mechanical design	1 free from play recirculating ball screws, DC-servomotor, Fmax = 3kN, spindle is protected by bellows
Stiffness load frame	2,7kN/ mm (with deformation of load cell and adapters)
Force measurement	Measuring range: class 1 in the range of 0.8 to 100% of nominal load (optionally class 0.5) (+/- 1% of the displayed value according to DIN EN ISO 7500-1)
Crosshead speed V	0,05mm/ min to 1300mm/min
Drive systems travel resolution	<1µm
Power ratings	115/230 VAC, 400 VA, 50/60 Hz, 5 - 40°C, 20 - 80% humidity
Weight	45kg
Data processing	USB 2.0 Interface or LAN, data transfer rate to PC: 50 Hz (standard), optionally 500 Hz with a special software add on-module internal data-processing rate 2 ms
Controller	EDC 220

Dimensions:

[mm]

H (Height)	1200
H max * (Max. crosshead travel)	850
B absolut (Width with control)	ca. 520
B (Width)	380
T (Depth)	500

* Crosshead travel without grips, adapter and load cell



universal testing machine with dimensions

Your contact person: